

Doorway to Nostalgia



This project was created by Yuri Nakamura, Educational Supervisor, Janome Tokyo.

A whimsical quilt with sumptuous colors and expertly stippled with the AcuFil quilting system of the new Memory Craft 11000 Special Edition.

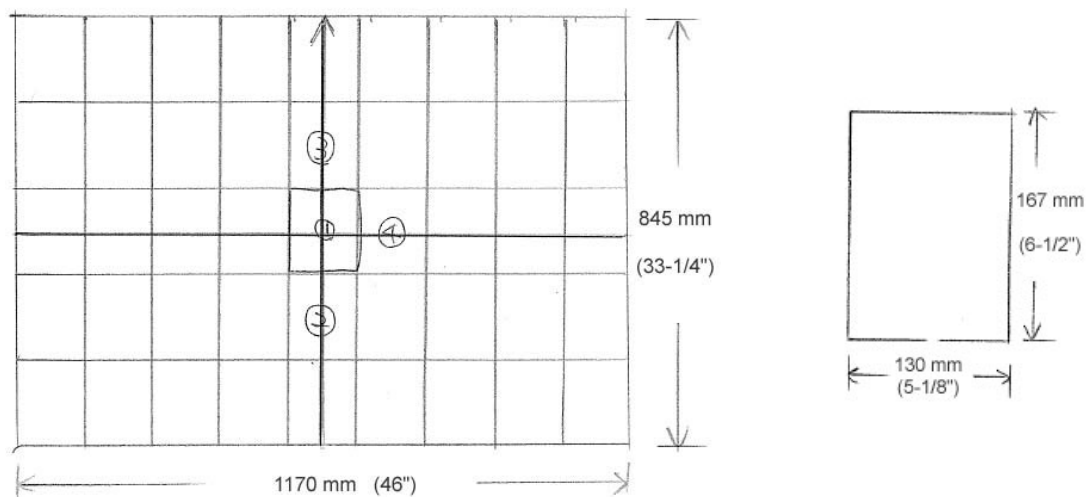
This quilt provides the perfect opportunity to introduce how easy it is to add stippling to your quilting projects with this amazing new feature.

1. Create your quilt top and prepare the quilt sandwich. Measure the size of the area to be stippled.

Note: No special adjustments required to use the AcuFil Quilting system, except to leave an extra 7 - 10 cm (3 - 4") of fabric around your quilt to accommodate the hoop if you want to have stippling right up to the edge. The extra fabric can be trimmed off when the quilt is bound.

2. In your Memory Craft 11000 Special Edition, select AcuFil Design AQ1 from the built-in designs.
3. Select the general arrangement option and input the size of the area to be stippled. With this project, since the entire top will be stippled, it was made slightly larger than the planned finished size to accommodate the normal shrinkage that occurs when quilting. Here a fabric size of 845 x 1170 mm (33-1/4 x 46") was used, which calculated to 9 hoopings by 5 hoopings, as shown below, with an embroidered area of 130 x 167 mm

(5-1/8 x 6-1/2") in each hooping, and gave a finished size of 820 x 1080 mm (32-1/4 x 42-1/2").



Note: You may find it easier when embroidering to use the longer side as the 'width' (the size you enter 'below' the quilt on the touchscreen) regardless of the orientation of your quilt. The stippling pattern can be used in any direction.

4. On the 'Confirm' screen, save your design directly to your PC (if using direct link) or to a USB memory or PC card. Open the design in the AcuFil Print Tool on your PC and print out both the single design and general arrangement templates.
5. Draw centerlines on your quilt top using an appropriate water/air soluble marker and mark an arrow at the top to indicate the orientation of your quilt.
6. Draw reference lines at the center of your quilt top for the first section.
7. Hoop your quilt with the AcuFil hoop lining up the reference lines you've drawn for the first section with the AcuFil Template, set on the machine and embroider. When the first design has finished, proceed to embroider the immediately adjacent designs in the same manner and work your way outward.
8. As you embroider your quilt will shrink to a certain degree depending on your fabric and batting. This may alter the alignment of the outermost designs. If necessary, you can adjust the sewing pattern size using the AcuFil calculator. Select the current design once again, select the AQ hoop, and open the single pattern adjusting window. Use the single pattern template printed earlier to determine what size is required and enter the new dimensions on this screen.
9. Once your quilt top is completely embroidered, bind your quilt and attach the ribbons and the other decorations. You're finished!